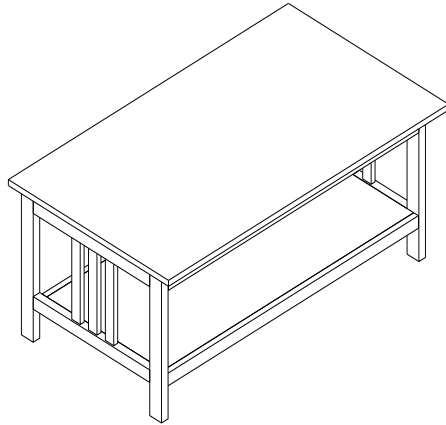


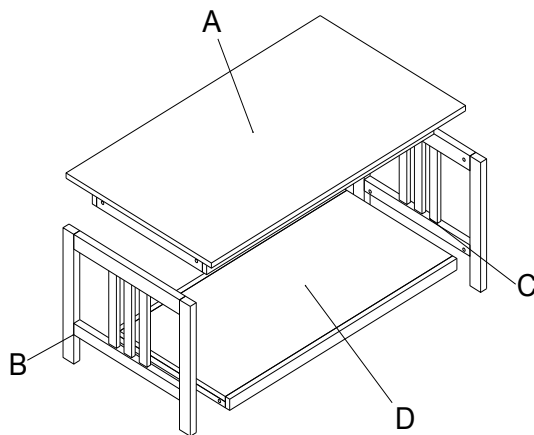
Mission Coffee Table



Thank you for purchasing our Mission Coffee Table. **We have found it helpful to have a second person present in at least one step of the assembly.**

Mission Coffee Table Assembly Instructions

Lay out all parts on a "non-abrasive" surface to avoid scratching furniture.



NO.	DRAWING	DESCRIPTION	QTY.
A		TOP	1
B		END PANEL-L	1
C		END PANEL-R	1
D		BOTTOM PANEL	1

NO.	DRAWING	DESCRIPTION	QTY.
E		M6*30mm BOLT	8
F		HEX WRENCH	1

PARTS

Step 1

Read through these instructions thoroughly before beginning assembly. We have found this to be of great value when first assembling this product.

Step 2

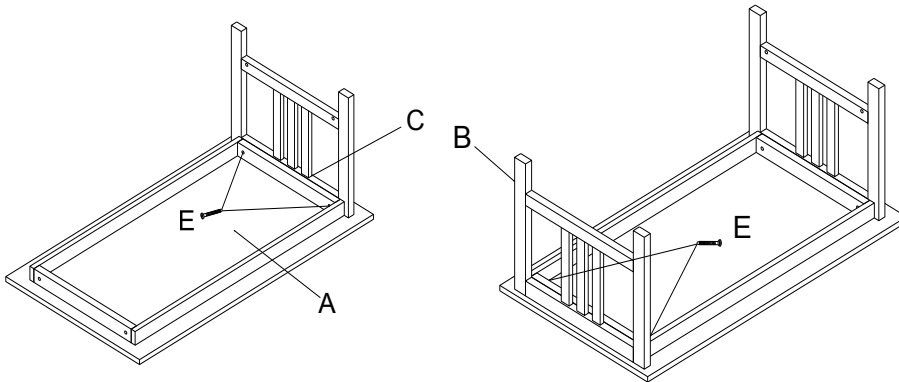
Remove all parts and hardware from packing material. Wooden pieces should be placed on a non abrasive surface (like the carton or carpet) to prevent damage to the finish.

Step 3 and 4

Lay Top (A) upside down and attach Right End Panel (C) by using 2 M6 x 30mm Hex Bolts (E).

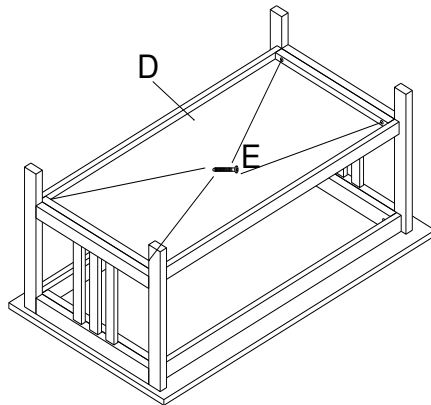
Note: It will help to have a second person at this time to assist in assembly.

Attach Left End Panel (B) to Top (A) by using 2 M6 x 30mm Hex Bolts (E).



Step 5

Attach Bottom (D) to End Panels (B) and (C) using 4 M6 x 30mm Hex Bolts (E).



CARE

Clean with mild soap and wipe dry.

REPLACEMENT PARTS:

For best service, to order replacement parts go to www.alaterrefurniture.com. Use the order form on the web site to order your replacement parts. **Thank You!**